

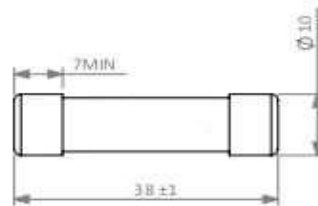
## Catalogue & Specifications for 500V Fuses

### 1. Catalog symbols

ASK-LV-FUSE (1A,2A,4A,6A,10A)



### 2. Drawing With Dimensions:



### 3. Rating: 1-10A, 500V AC

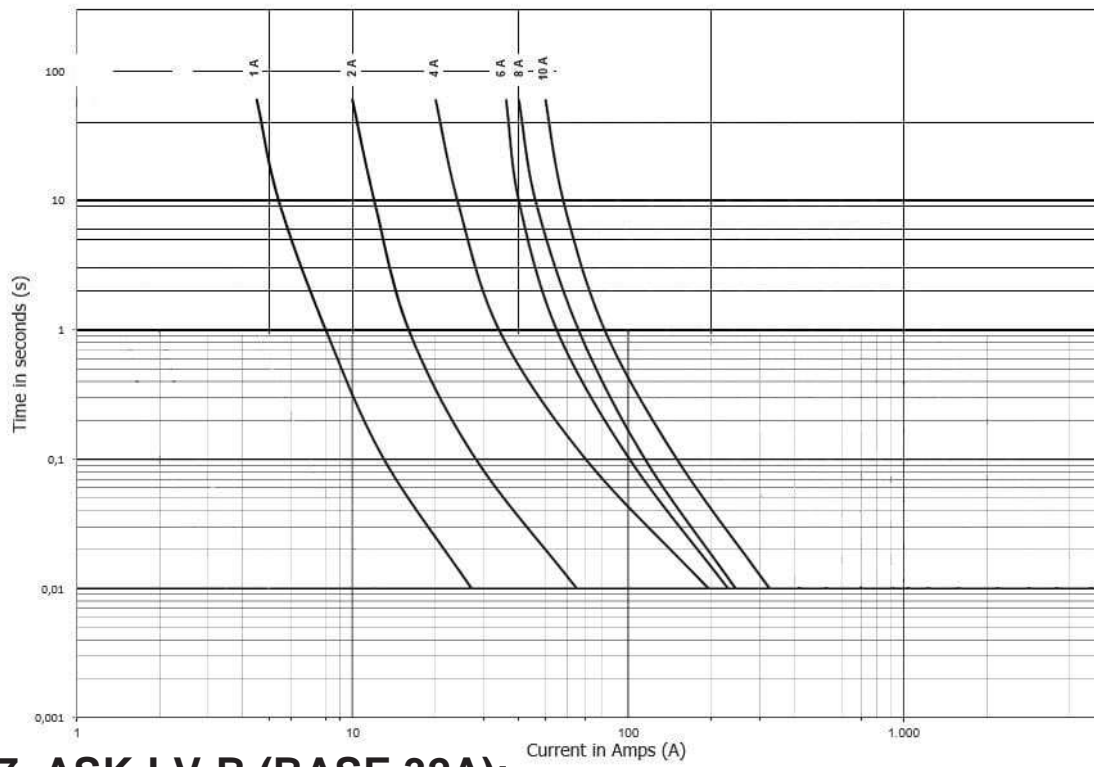
### 4. Electrical characteristics:

RATING CURRENT	1A AC	2A AC	4A AC	6A AC	10A AC
RATED VOLTAGE	500V	500V	500V	500V	500V
MAX BREAKING CAPACITY	120KA	120KA	120KA	120KA	120KA
MAX VOLTAGE DROP (In mV)	≤ 600mV	≤ 500mV	≤ 400mV	≤ 300mV	≤ 200mV

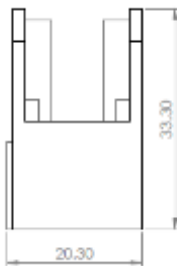
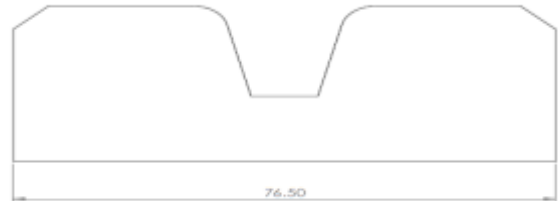
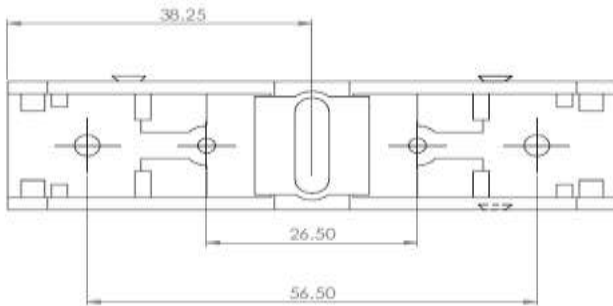
### 5. Melting requirements:

Rating current	1-10A AC
Fusing Limits	
1.25 In (nominal current)	1hr min
1.6 In (nominal current)	1hr max
3.6 In (nominal current)	5 secs max

### 6. TIME-CURRENT CHARACTERISTICS:



## 7. ASK-LV-B (BASE 32A):



ISOMETRIC VIEW

